

Wire to Board, Header

SWTB-C1501VS-XX

Description

The SWTB-C1501VD-XX is a DIP style connector with a 1.5mm pitch and is available up to 16 poles.



Features

Mechanical Properties

Description

Connector Type	DIP, single row
Insulator body material	Nylon 9T, UL94V-0
Contact material	Brass, Tin plated over Nickel
Operating Temperature Range	-40°C~+105°C
Pitch	1.5 mm
Poles	2-16 Poles
Orientation	Vertical
Dimensions	See table

Electrical Properties

Description

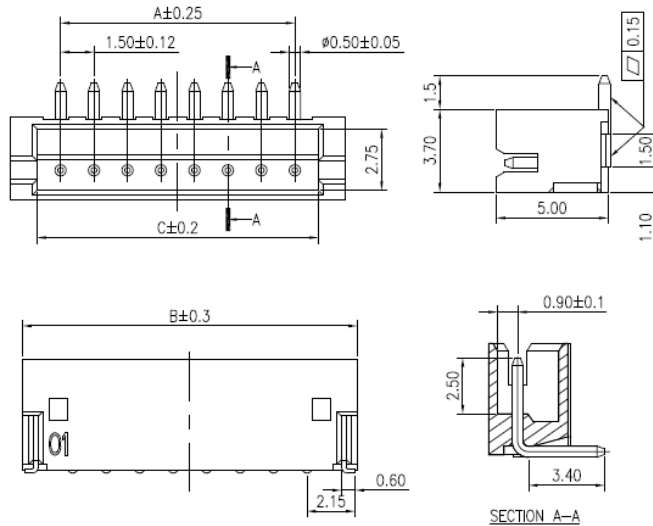
Rated Current	1A AC / DC
Rated Voltage	100V AC / DC
Contact Resistance	20mΩ Max.
Insulation Resistance	500MΩ Min.
Withstanding Voltage	500V AC / 1Min.

Wire to Board, Header

SWTB-C1501VS-XX

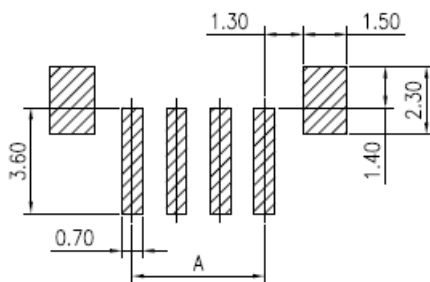
Dimensions

*unit: mm, N= number of poles



PCB Footprint

*unit: mm , N = number of poles



Recommended P.C.Board Layout

Number of Poles:

Dimensions

	A	B	C
02	1,5	6,0	3,6
03	3,0	7,5	5,1
04	4,5	9,0	6,6
05	6,0	10,5	8,1
06	7,5	12,0	9,6
07	9,0	13,5	11,1
08	10,5	15,0	12,6
09	12,0	16,5	14,1
10	13,5	18,0	15,6
11	15,0	19,5	17,1
12	16,5	21,0	18,6
13	18,0	22,5	20,1
14	19,5	24,0	21,6
15	21,0	25,5	23,1
16	22,5	27,0	24,6

Wire to Board, Header

SWTB-C1501VS-XX



Part number

SWTB-C1501VS-XX

SWTB-C1501VS	Style of connector
XX	Poles
	2,3,4,5,6,7,8, 9,10, 11,12,13

Ordering information

Ordering can be done via www.summit-electronics.com or via info@summit-electronics.com. Please contact us for more information. Customisation of the product is available on request.

Technical support

For all product questions please contact us via info@summit-electronics.com

Document revision

Rev	Date	changes
V01.00	26-06-2023	First issue of document, EK